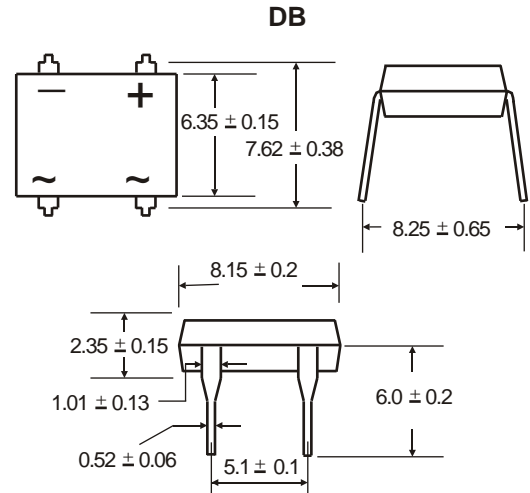


## Features

- This series is UL listed under the Recognized Component Index, file number E142814
- The plastic material used carries Underwriters Laboratory flammability recognition 94V-0
- Surge overload ratings to 50 amperes
- Ideal for printed circuit board application
- High temperature soldering guaranteed 260 °C /5 seconds at 5 lbs (2.3kg) tension

## Mechanical Data

- Case: Molded plastic
- Terminals: Plated leads solderable per MIL-STD-202, Method 208
- Polarity: Marked on body
- Mounting Position: Any
- Weight: 0.34 grams (approx)



Dimensions in millimeters ( 1mm =0.0394" )

## MAXIMUM RATINGS AND ELECTRICAL CHARACTERISTICS

(Rating at 25°C ambient temperature unless otherwise specified. Single phase ,half wave ,60Hz, resistive or inductive load. For capacitive load, derate current by 20%.)

	Symbols	DB201	DB202	DB203	DB204	DB205	DB206	DB207	Units
Maximum Recurrent Peak Reverse Voltage	V <sub>RRM</sub>	50	100	200	400	600	800	1000	Volts
Maximum RMS Voltage	V <sub>RMS</sub>	35	70	140	280	420	560	700	Volts
Maximum DC Blocking Voltage	V <sub>DC</sub>	50	100	200	400	600	800	1000	Volts
Maximum Average Forward Rectified Current	I <sub>(AV)</sub>	2.0							Amp
Peak Forward Surge Current 8.3ms single half sine-wave superimposed on rated load (JEDEC method)	I <sub>FSM</sub>	60							Amps
Maximum Instantaneous Forward Voltage at 1.0 A DC	V <sub>F</sub>	1.1							Volts
Maximum DC Reverse Current at rated DC blocking voltage	T <sub>A</sub> =25 °C	10							μA
	T <sub>A</sub> =125 °C	500							
Typical junction capacitance(Note 1)	C <sub>J</sub>	25							pF
Typical thermal resistance(Note 2)	R <sub>θJA</sub>	40							K/W
Operating junction and storage temperature range	T <sub>J</sub> T <sub>STG</sub>	-55 to +150							°C

Note: 1. Measured at 1MHz and applied reverse voltage of 4.0 Volts.

2. Thermal resistance junction to ambient mounted on P.C.B. With 05\*0.5 inches(1.3\*1.3mm) copper pads

FIG.1-TYPICAL FORWARD CURRENT DERATING CURVE

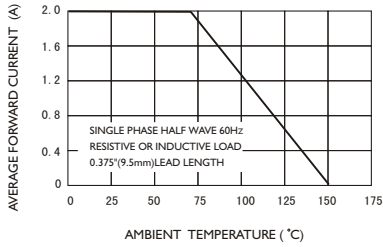


FIG.2-MAXIMUM NON-REPETITIVE FORWARD SURGE CURRENT

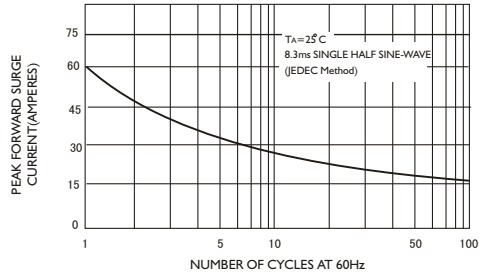


FIG3-TYPICAL JUNCTION CAPACITANCE

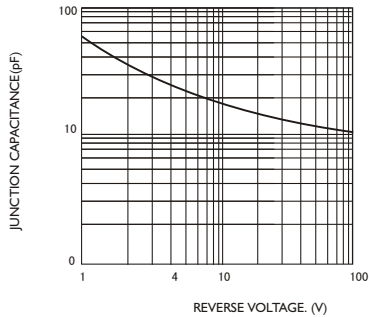


FIG4-TYPICAL FORWARD CHARACTERISTICS

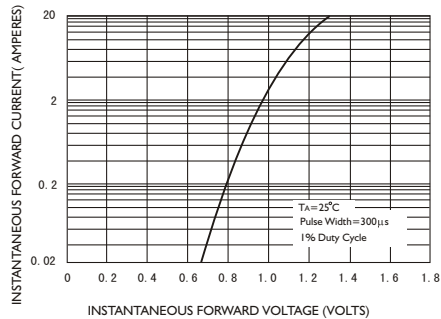


FIG.5-TYPICAL REVERSE CHARACTERISTICS

